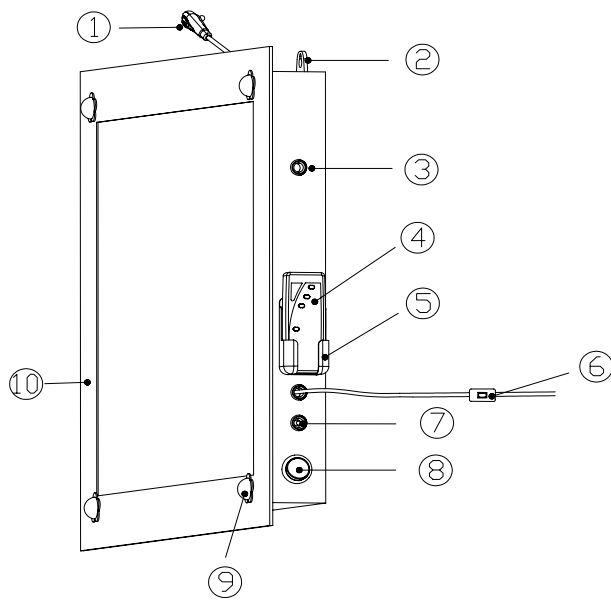


Instruction of the waterfall picture's remote control

Thanks for purchase "FIRST" waterfall picture with remote control. The accessories: instruction and remote control. There are two control ways such as remote control and manual control. You can use the right side switch to change the two ways.

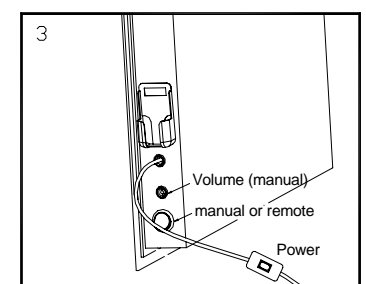
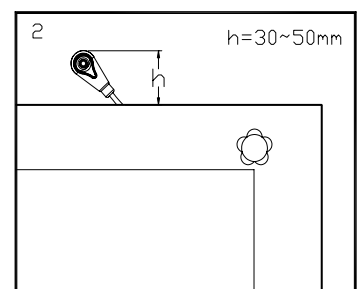
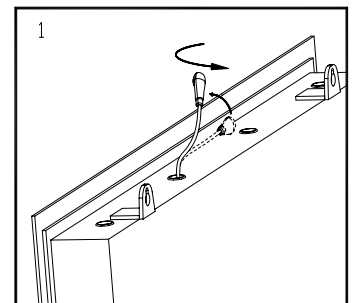
Product Picture:



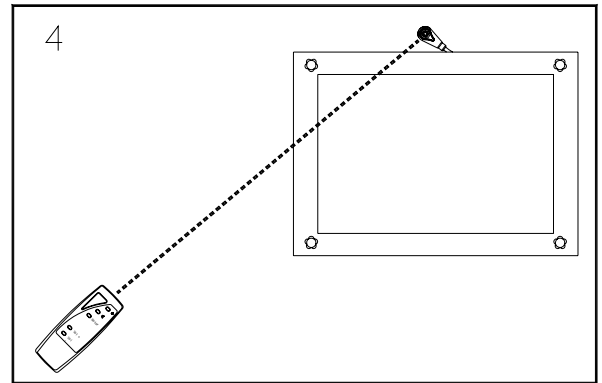
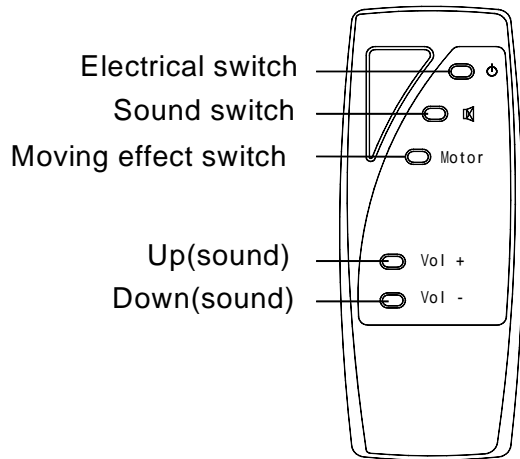
- 1、 The top of the remote control,
- 2、 Holder
- 3、 Blowhole
- 4、 Remote control
- 5、 Remote control box
- 6、 Electrical total switch
- 7、 Volume adjustment(manual)
- 8、 Switch for changing manual and remote control ways.
- 9、 Screw cap.
- 10、 Glass

Instruction:

- 1、 Please take off the products from the box, then remove the plastic paper and polyfoam.
- 2、 Please pull up the top of the remote control's receiver, and adjust the angle as attached picture 1. Please adjust it up to 30-50mm, in order to keep the good effect.
- 3、 Please take out remote control from the remote control seat on the right side. Turn on the switch. Through manual remote switch to complete manual control. When manual controlling, touch switch on the right side to adjust volume.
- 4、 When the receiver is working, please use the remote control to aim at the top of the receiver (within 5M), and turn on the power supply of the remote control, then it can work. Please see the attached picture 4.



Each function on the remote control as follows:



Note: if the remote control doesn't work, there are several reasons as below:

- 1、 You don't turn on the manual or remote control switch, or don't turn on the power supply.**
- 2、 Too far, please stand much closer.(within 10m).**
- 3、 Pease adjust the angle of the receiver.**
- 4、 Out off power, please change the batteries.**

If you still have problem after checking as above, please contact the distribution soon .